

COELBO CONTROL SYSTEM, S.L.

- 2014/35/EU
- 2014/30/EU
- 2014/65/EU

: (T-KIT) SWITCHMATIC 1
(T-KIT) SWITCHMATIC 2
SWITCHMATIC 3

: EN-60730-2-6, EN-60730-1, EN-61000-6-1,
EN-61000-6-3, IEC-60730-1, IEC-60730-2-6

COELBO CONTROL SYSTEM, S.L.
Ctr de Rubí, 288 - P.I. Can Guitard
08228 Terrassa - BARCELONA (SPAIN)
08/11/2019



COELBO

COELBO -

!

!!!

ECO DRIVE

9

MM - (~1x220), (~1x220).

80

in-line,

	6MM	9MM
	~1 x 185 - 275 /50 .	~1 x 185 - 275 /50 .
	~1 x 220 .	~1 x 220 .
	6 .	9 .
	20% 10	20% 10
	0.5 - 8	0.5 - 8
	40	40
	04 - 50	04 - 50
	10 000 /	10 000 /
/	1" . .	1" . .
	IP 55	IP 55

- 1.
- 2.
- 3.
- 4.
- 5.
- 6.
- 7.

!!!

Ip55.



- 1- MENU
- 2- ()
- 3- ENTER -
- 4- ()
- 5- ()
- 6- ()
- 7- ()

SP (Set Pressure)

)-

7 AUTO,

2.0



12

COELBO

:	
:	:
(,)	
-2	
()	

()	

()	

A1

ART. 1 (), ART (), ART 30 10).
(1). 24
2020 2019 1 1). Speedmatic Easy

A2

4 (2.)

A3

370 370

A5

A6

50 40

A7

7.

A8

8 - 275
9 - 185

A9



: P-

, Fr-

, t-

7 AUTO.

SP	MENU 3	MENU
A	ENTER	ENTER
FL	ENTER 30 - 35	ENTER
SP	AUTO.	ON OFF

7 AUTO.



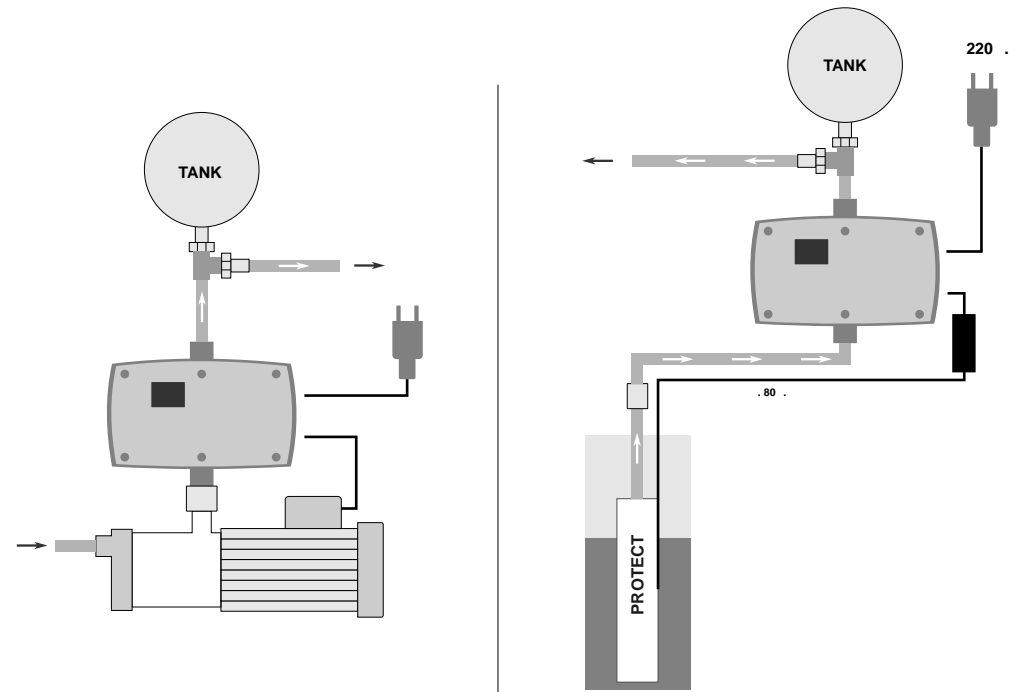
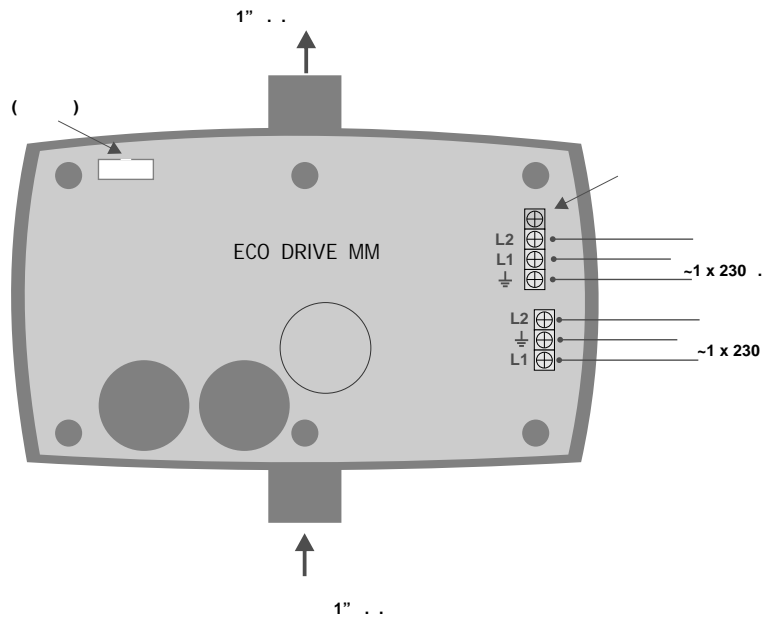
HF	57	ENTER
CF	97	ENTER
Cr	12	ENTER
A1	03	ENTER
A2	02	ENTER
A3	00	ENTER
A6	02	ENTER

A7	01		ENTER
A8	09		ENTER
A9	08		ENTER

ENTER.
: 10234 ()

ENTER	HF	ENTER	01	ENTER	02	ENTER	34	ENTER	CF
-------	----	-------	----	-------	----	-------	----	-------	----

ECO DRIVE 6MM (9MM)



!!!

DRIVE

1)

2)

(ECO DRIVE 6MM - 6 , ECO DRIVE 9MM - 9).



ECO

1 2.

15-20%.

